

# HZ8136RAI-MP2

Image Size: 1/2 1/3

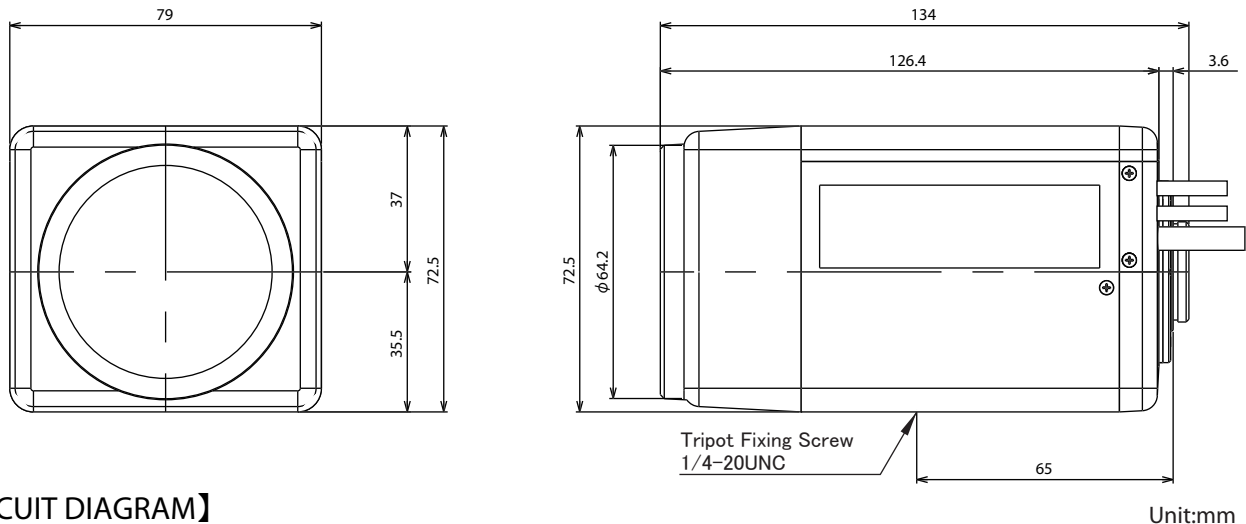
**【SPECIFICATIONS】** 1/2" Megapixel Motorized Zoom Lens

Focal Length :	8~136mm	Input Impedance :	High Impedance
Maximum Relative Aperture :	1:1.6	Operation : Zoom :	Motorized (DC±6.4V, Max40mA) Speed Approx. 4 sec.
Iris :	F1.6~Approx.360	Focus :	Motorized (DC±6.4V, Max40mA) Speed Approx. 5 sec.
Zoom Ratio :	17X	Iris :	EE(DC+8.5~16V : Fixed Voltage, MAX45mA)
Angle Field of View :	43.6 × 33.4 deg. at 8mm 2.7 × 2.2 deg. at 136mm	EE Mechanism :	The built-in EE Amp amplifies the difference between the video signal from the camera and the preset iris signal level. It causes the iris to change size.
Image Size :	6.4 × 4.8mm ( φ 8mm)	EE Accuracy :	With Input Video Signal 0.7Vp-p
Minimum Object Distance :	1.8m (From Front Vertex)	Operating Temperature :	-10 to +50°C
Optical Back Focal Distance :	19.33mm (In Air)	Mount :	C-Mount (Adjustable Lens Position)
Flange Back :	17.526mm	Filter Size :	58mm P0.75
Input Signal :	Composite Video Signal, Video Signal	Size :	79 × 72.5 × 130mm
Sensitivity Adjustment :	0.5~1.0Vp-p(Image Signal)	Weight :	Approx.650g
Photometry Range :	Approx.40~70% Variable to Vp-p		

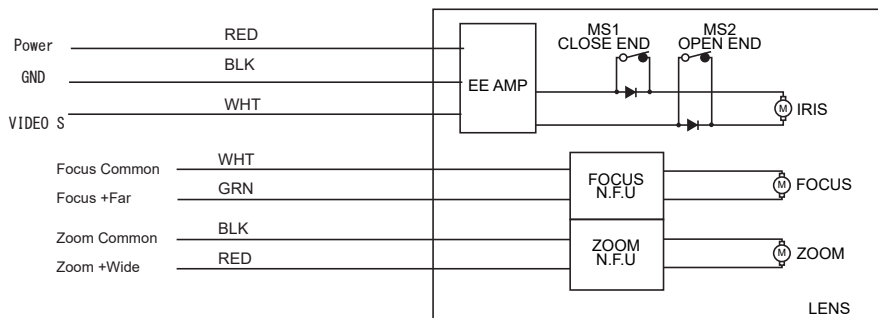
**【DIMENSION】**

- Lens.....1
- Lens Cap.....1
- Dust Cap.....1

**【DIMENSION】**



**【CIRCUIT DIAGRAM】**



Unit:mm