

REGURUS HD338DCIR

【SPECIFICATIONS】

Image Size : $\frac{1}{3}$ $\frac{1}{4}$

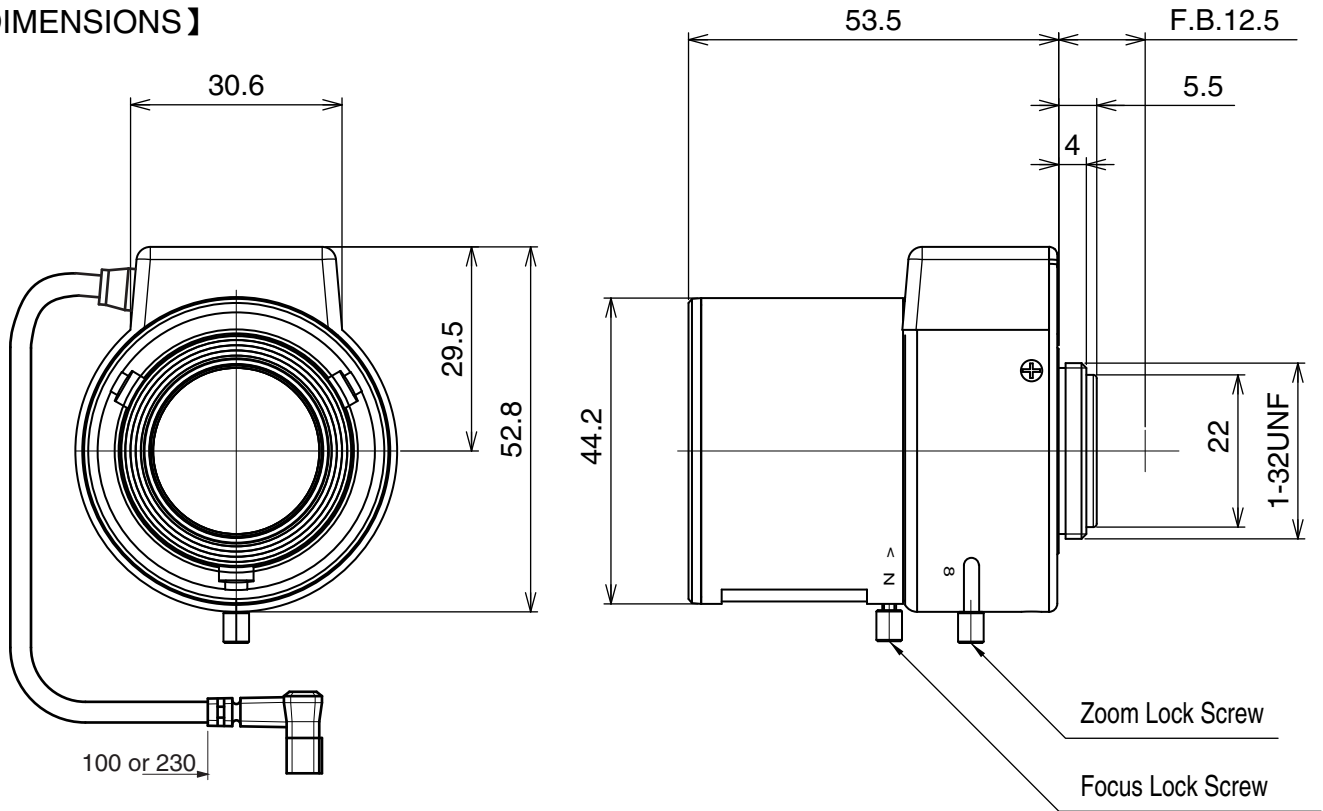
Focal Length : 3.3 ~ 8.0 mm
 Maximum Relative Aperture : 1:1.4
 Iris : F 1.4 ~ Approx.360
 (With ND Spot Filter)
 Angle of View : 87.9 × 64.5 deg. at 3.3mm
 35.0 × 26.2 deg. at 8mm
 Image Size : 4.8 × 3.6mm (6mm)
 Minimum Object Distance : 0.5m (From Front Vertex)

Optical Back Focal Distance : 7.21 ~ 12.61mm (In Air)
 Flange Back : 12.5mm
 Operation : Focus : Manual
 Zoom : Manual
 Iris : IG(Auto Close System)
 Operating Temperature : -10 ~ +50
 Mount : CS-Mount(Adjustable Lens Position)
 Size : 44.2 × 53.5 × 52.8mm

【COMPOSITION】

Lens 1
 Lens Cap 1
 Dust Cap 1

【DIMENSIONS】



Unit:mm

【CIRCUIT DIAGRAM】

