

8-Channel Lens Signal Switcher

【Specifications】

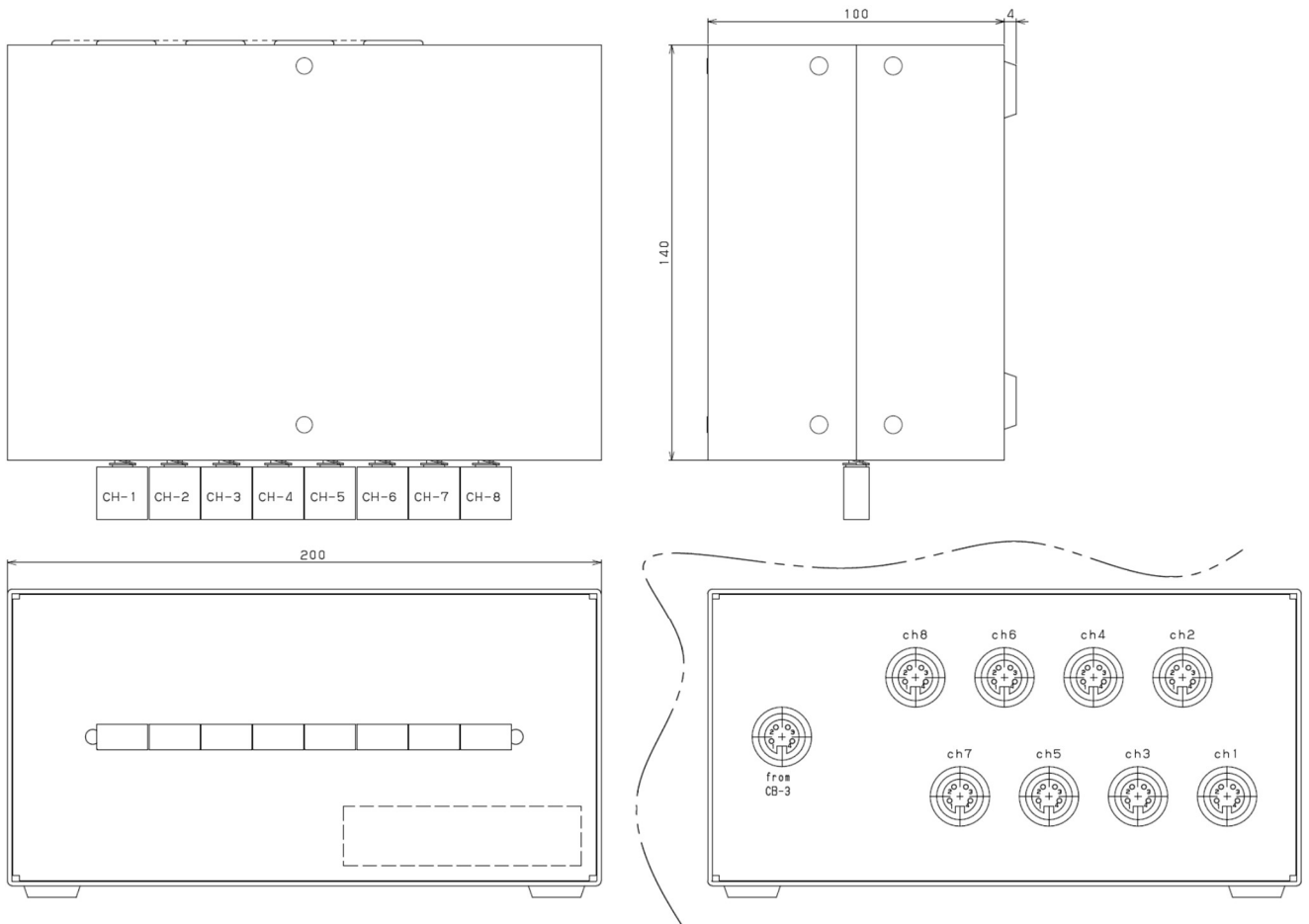
Input: Control BOX "CB-3" DIN4 pin × 1
 Allowable Current: 0.5A
 Applicable lens: COM method (DIN4 pin)
 Number of lenses that can be connected: Up to 8 lenses

Switching method: Interlocking type (1channel selection)
 Operating temperature range: -10~+50 °C
 Dimensions: 200×140×100mm

【Configuration】

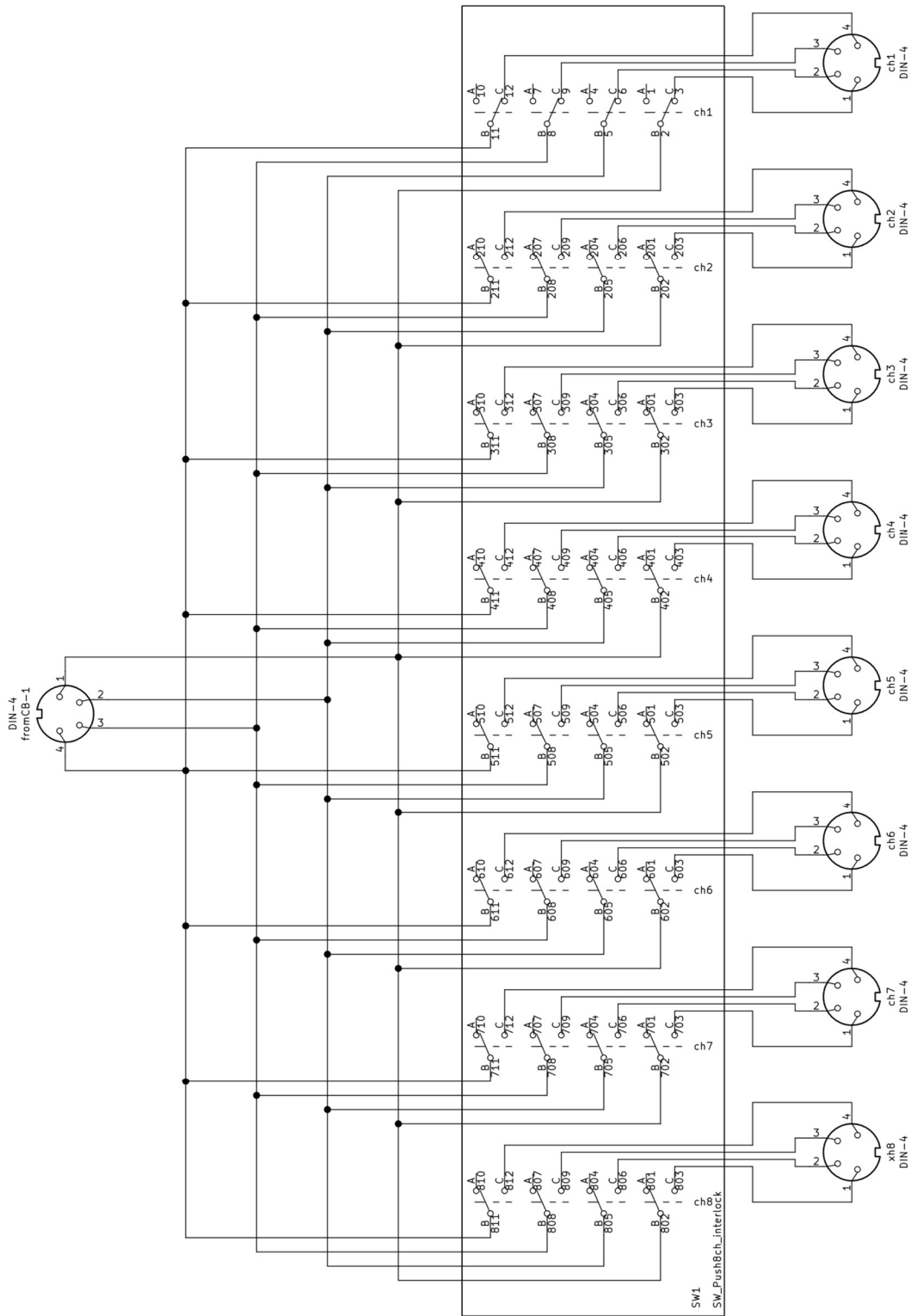
Signal switcher.....1 CB-3 connection cable (DIN4 male-male)

【External Appearance】



- *1 When switch button is pushed down and becomes "ON", color of frontal button changes from black to red.
- *2 Due to the nature of the switch, there are rare cases where 2 channels are turned on at the same time. In this case, please press the button again so that it becomes every 1channel. Simultaneous operation of 2 units or more lenses will cause the operating power of this unit and the CB-3 to deviate from the allowable range of use.

【Circuit diagram】



Specifications, appearance, etc. are subject to change without notice.