

TAV2812P IR-MP

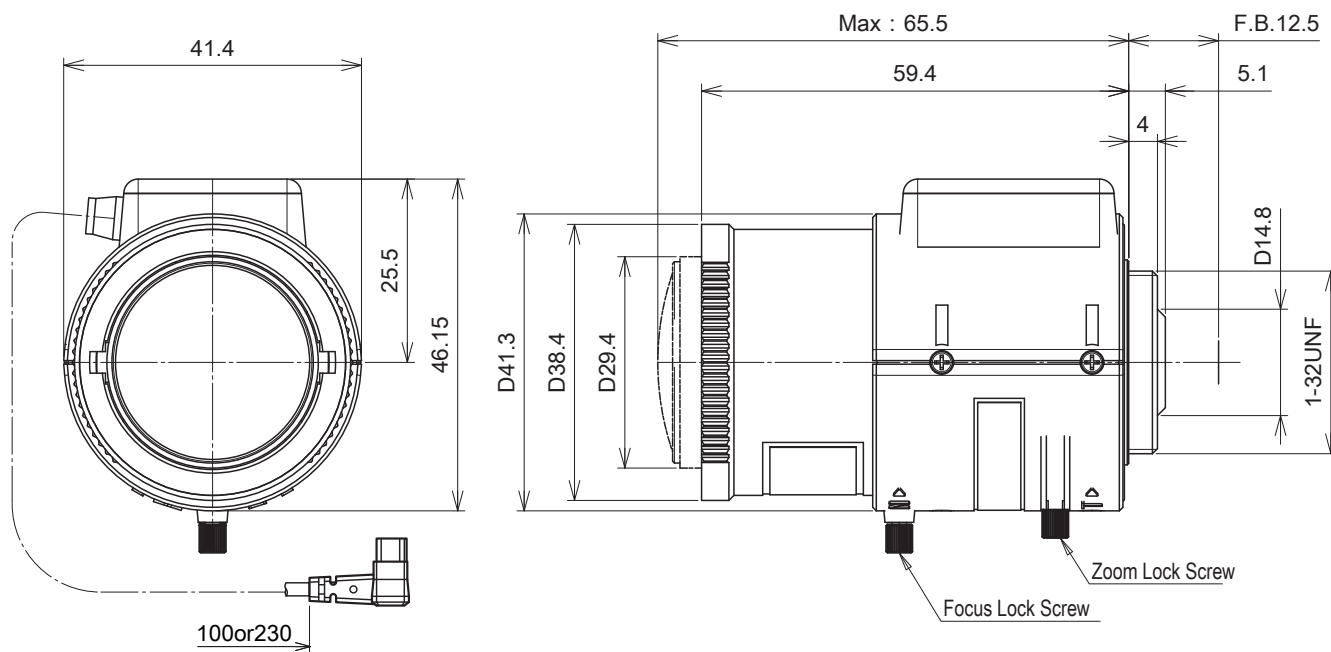
[SPECIFICATIONS] **F1.4 Aspherical + Day&Night IR Lens** Image Size: $\textcircled{1/2.8}$ $\textcircled{1/3}$ $\textcircled{1/4}$

| | | | |
|-------------------------------|---|-------------------------|--|
| Focal Length : | 2.8 ~ 12mm | Flange Back : | 12.5mm |
| Maximum Relative Aperture : | 1:1.4 | Operation : | Focus : Manual Zoom : Manual Iris : Stepper motor |
| Iris : | F1.4 ~ 360 (With ND Spot Filter) | Operation Voltage | Close to Open : Less than 3V Open to Close : More than 0.5V |
| Zoom Ratio : | 4.3 x | Operation Temperature : | -10 to +50C |
| Angular Field of View : | 97.9 x 72.5 deg.at 2.8mm 25.0 x 18.8 deg.at 12mm | Mount : | CS-Mount(Adjustable Lens Position) |
| Image Format : | 4.8 x 3.6mm (ϕ 6mm) | Size, Weight : | D41.3 x 46.2 x 59.4mm, Approx. 70g |
| Minimum Object Distance : | 0.3m (From Front Vertex) | | |
| Optical Back Focal Distance : | 7.32mm (In Air) | | |

[COMPOSITION]

- Lens1
- Lens Cap1
- Dust Cap1

[DIMENSIONS]



Unit:mm

[CIRCUIT DIAGRAM]

| PN NO. | lead wres color | STEP PHASE | CLOSE → ← OPEN | | | |
|--------|-----------------|---------------|----------------|---|---|---|
| | | | 1 | 2 | 3 | 4 |
| 1 | BLK | B | H | H | L | L |
| 2 | WHT | A | H | L | L | H |
| 3 | RED | \bar{A} | L | H | H | L |
| 4 | GRN | \bar{B} | L | L | H | H |

Do not connect to camrea which does not have P-Iris support. It will cause failure.
It is not compatible to connect to DC or Video Iris camera.