

TAV850DCIR-MP

【SPECIFICATIONS】 F1.6 Aspherical + Day&Night IR Lens

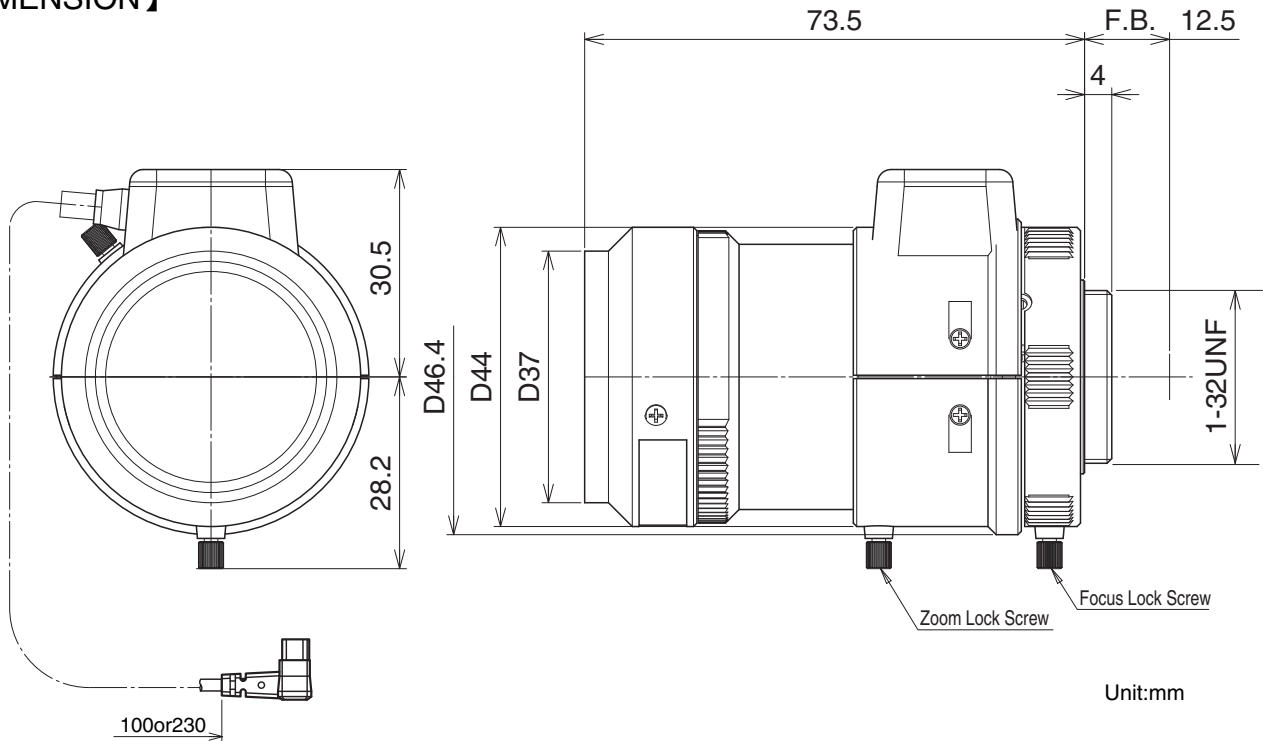
Image Size: $\text{\textcircled{1/2.7}}$ $\text{\textcircled{1/3}}$ $\text{\textcircled{1/4}}$

Focal Length :	8 - 50mm	Operation :	Focus : Manual
Maximum Relative Aperture :	1:1.6		Zoom : Manual
Iris :	F1.6 - 360 (With ND Spot Filter)		Iris : IG(Auto Close System)
Zoom Ratio :	6.25x	Operation Temperature :	Close Open : Less than 3.0V
Angular Field of View :	38.7 x 28.6 deg. at 8mm 6.4 x 4.8 deg. at 50mm		Open Close : More than 0.5V
Image Format :	5.4 x 4.0mm (D6.7mm)	Mount:	CS-Mount (Adjustable Lens Position)
Optical Back Focal Distance :	More than 10.3mm (In Air)	Size :	D41.3 x 46.2 x 59.4mm
Flange Back :	12.5mm	Weight :	Approx.101g

【COMPOSITION】

- Lens 1
- Lens Cap 1
- Dust Cap 1

【DIMENSION】



【CIRCUIT DIAGRAM】

