

EHF16M

【SPECIFICATIONS】 3Megapixel-Lens

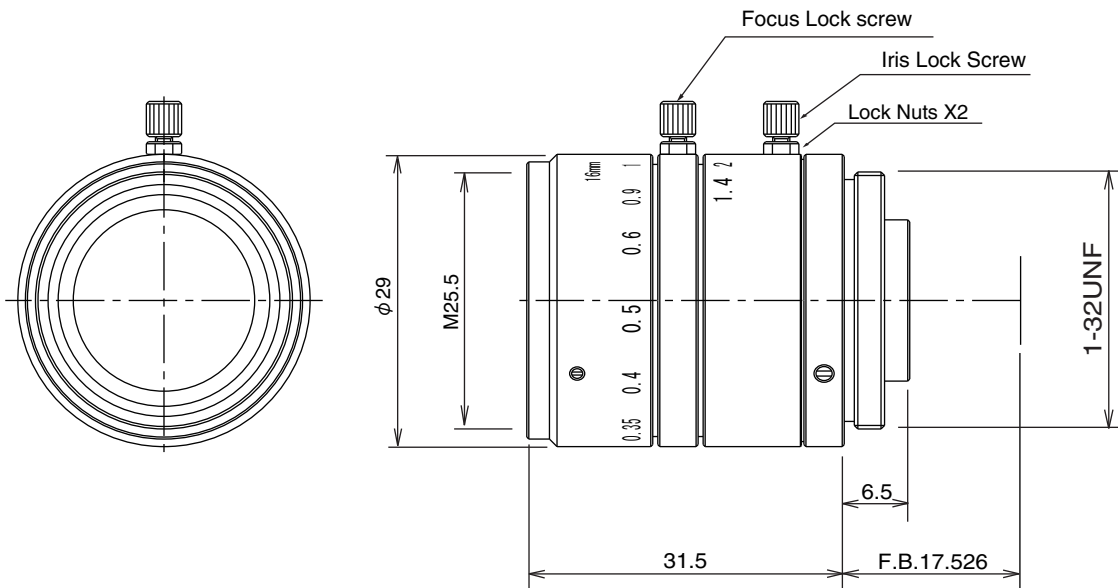
Image Size : $\frac{1}{1.8}$

Focal Length :	16mm	Optical Back Focal Distance :	11.35mm (In Air)
Maximum Relative Aperture :	1:1.4	Flange Back :	17.526mm
Iris :	F1.4~16	Operation :	Focus : Manual Iris : Manual
Angle of View :	24.0 × 18.0 deg	Operating Temperature :	-10~+50°C
Image Size :	7.04 × 5.28mm (φ 8.8mm)	Mount :	C-Mount
Minimum Object Distance :	0.3mm (From Front Vertex)	Filter Size :	25.5mm P0.5
Resolution :	3.6 μm (at center) 5 μm (at corner)	Size :	φ 29 × 31.5mm
Distorsion :	+0.06%	Weight :	Approx. 45g

【COMPOSITION】

- Lens 1
- Lens Cap 1
- Dust Cap 1

【DIMENSIONS】



Unit:mm