

HHF6M

【SPECIFICATIONS】 1.45Megapixel-Lens

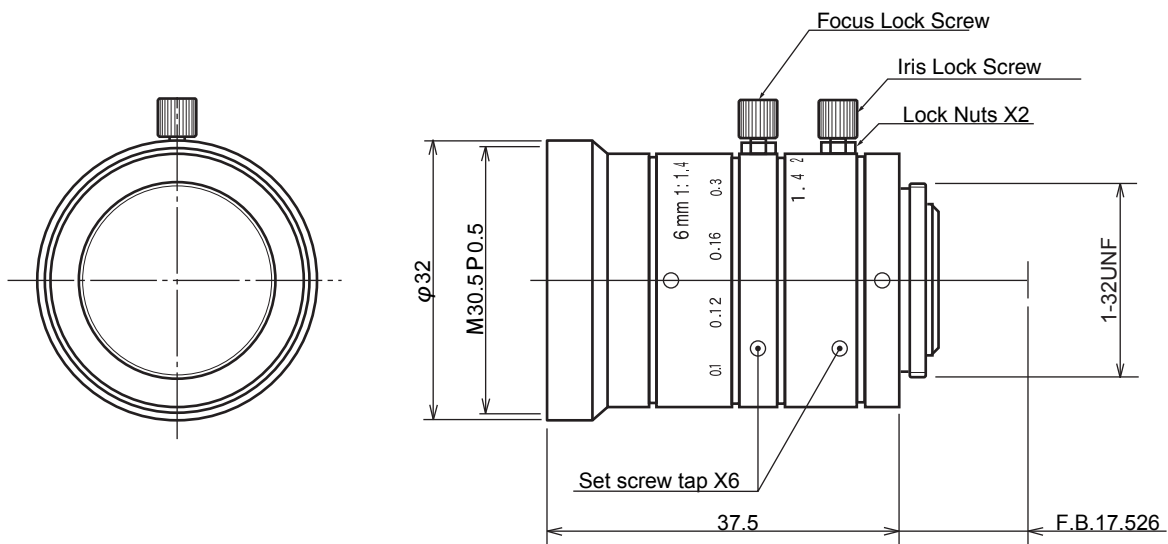
Image Size : $\frac{1}{2}$

Focal Length :	6mm	Optical Back Focal Distance :	12.32mm (In Air)
Maximum Relative Aperture :	1:1.4	Flange Back :	17.526mm
Iris :	F1.4~16	Operation :	Focus : Manual Iris : Manual
Angle of View :	57.4×44.3 deg	Operating Temperature :	-10~+50°C
Image Size :	6.4×4.8mm (φ 8mm)	Mount :	C-Mount
Minimum Object Distance :	0.25mm (From Front Vertex)	Filter Size :	30.5mm P0.5
Resolution :	5 μ m (at center) 6.3 μ m (at corner)	Size :	φ 32×37.5mm
Distorsion :	-0.96%	Weight :	Approx. 66g

【COMPOSITION】

- Lens 1
- Lens Cap 1
- Dust Cap 1

【DIMENSIONS】



Unit:mm