

HZ65104R

【SPECIFICATIONS】

Image Size: $\frac{1}{2}$ $\frac{1}{3}$

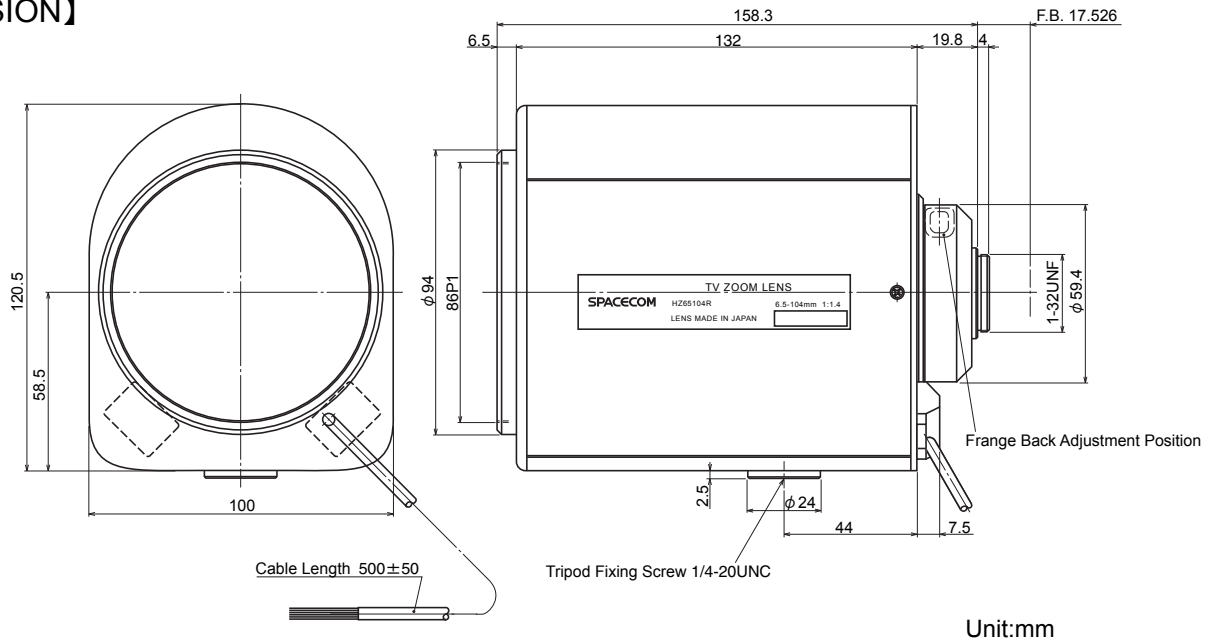
Focal Length : 6.5~104mm
 Maximum Relative Aperture : 1:1.4 at 6.5~80mm
 1:1.6 at 104mm
 Iris : F1.4~Close
 Zoom Ratio : 16X
 Angle of view : 52.4°×40.5° at 6.5mm
 3.5°× 2.6° at 104mm
 Image Size : 6.4×4.8mm (φ8mm)
 Minimum Object Distance : 1.5m (From Front Vertex)
 Optical Back Focal Distance : 15.76mm (In Air)
 Flange Back : 17.526mm

Operation : Zoom : Motorized (DC±6.4V, Max80mA)
 Speed Approx.9sec.
 Focus : Motorized (DC±6.4V, Max80mA)
 Speed Approx.17sec.
 Iris : Motorized (DC±6.4V, Max50mA)
 Speed Approx.2.5sec.
 Operation Temperature : -10~+50°C
 Mount : C-Mount(Adjustable Lens Position)
 Filter Size : 86mm P1
 Size : 120.5×100×158.3mm
 Weight : Approx. 1.5 Kg

【COMPOSITION】

- Lens 1
- Lens Cap 1
- Dust Cap 1

【DIMENSION】



【CIRCUIT DIAGRAM】

