

# HZ848DC

**【SPECIFICATIONS】** F1.0 6X High Speed Manual Zoom Lens

Image Size:  $\frac{1}{2}$   $\frac{1}{3}$

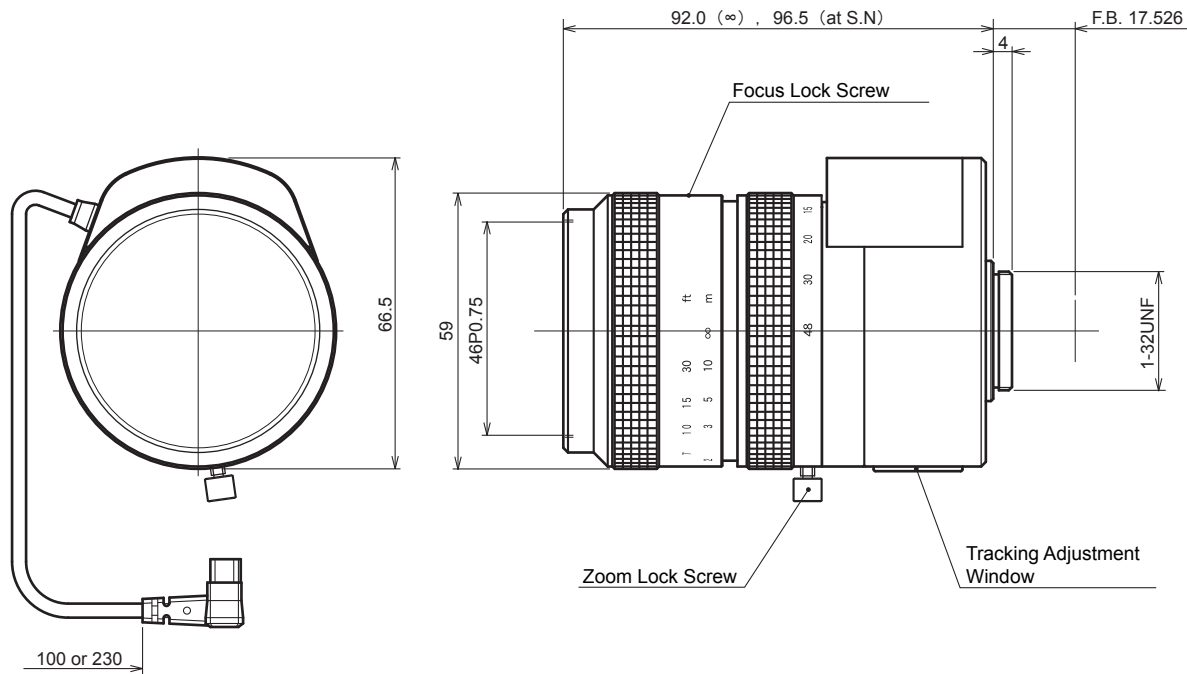
Focal Length : 8~48mm  
 Maximum Relative Aperture : 1:1.0  
 Iris : F1.0~Approx.360  
 (With ND Spot Filter)  
 Zoom Ratio : 6X  
 Angle of View : 43.6×33.4 deg. at 8mm  
 7.7×5.7 deg. at 48mm  
 Image Size : 6.4×4.8mm (φ8mm)  
 Minimum Object Distance : 1.0m (From Front Vertex)  
 Close-up photography as far as  
 Object Distance 0.5m is possible by  
 S.N.(Service Near)function of Focus.  
 (Partial eclipse may occur during  
 zooming in the S.N. range with using  
 1/2" camera.)

Optical Back Focal Distance : 14.56mm (In Air)  
 Flange Back : 17.526mm  
 Operation : Focus : Manual  
 Zoom : Manual  
 Iris : IG(Auto Close System)  
 Close to Open : Less than 4.0V  
 Open to Close : More than 0.1V  
 Speed Within 4sec.  
 Operating Temperature : -10~+50°C  
 Mount : C-Mount(Adjustable Lens Position)  
 Filter Size : 46mm P0.75  
 Size : 66.5×59×92.0mm,  
 Weight : Approx.400 g

**【COMPOSITION】**

- Lens . . . . . 1
- Lens Cap . . . . . 1
- Dust Cap . . . . . 1

**【DIMENSIONS】**



Unit:mm

**【CIRCUIT DIAGRAM】**

