

HZ848M mold

【SPECIFICATIONS】 F1.0 Manual Zoom Lens

Image Size: $\frac{1}{2}$ $\frac{1}{3}$

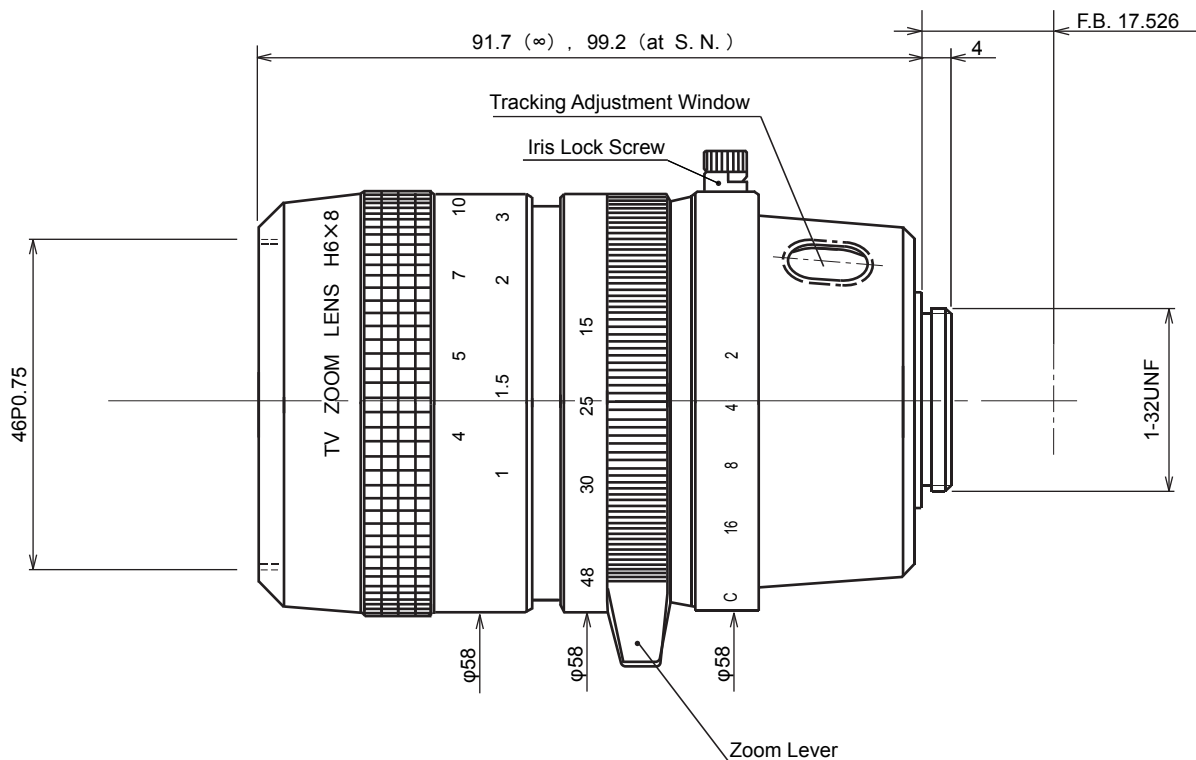
Focal Length : 8~48mm
 Maximum Relative Aperture : 1:1.0
 Iris : F1.0~Close
 Zoom Ratio : 6X
 Angle of View : 43.6×33.4 deg. at 8mm
 7.7×5.7 deg. at 48mm
 Image Size : 6.4×4.8mm (φ8mm)
 Minimum Object Distance : 1.0m (From Front Vertex)
 Close-up photography as far as Object Distance 0.3m is possible by S.N.(Service Near)function of Focus. (Partial eclipse may occur during zooming in the S.N. range with using 1/2" camera.)

Optical Back Focal Distance : 14.56mm(In Air)
 Flange Back : 17.526mm
 Operation : Focus : Manual
 Zoom : Manual
 Iris : Manual
 Operating Temperature : -10~+50°C
 Mount : C-Mount
 Filter Size : 46mm P0.75
 Size : φ58×91.7mm
 Weight : Approx.380 g

【COMPOSITION】

- Lens 1
- Lens Cap 1
- Dust Cap 1

【DIMENSIONS】



Unit:mm