

HZ880R PZFI

【SPECIFICATIONS】

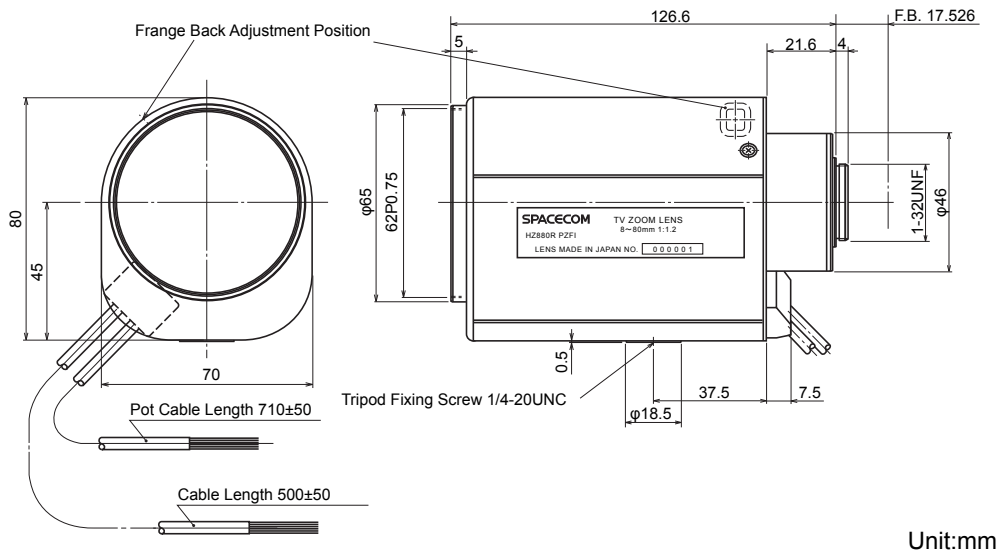
Image Size: $\frac{1}{2}$ $\frac{1}{3}$

Focal Length :	8~80mm	Operation :	Zoom :	Motorized(DC±6.4V, Max40mA) Speed Approx.6sec.
Maximum Relative Aperture :	1:1.2		Focus :	Motorized(DC±6.4V, Max40mA) Speed Approx.7sec.
Iris :	F1.2~Close		Iris :	Motorized(DC±6.4V, Max40mA) Speed Approx.3.5sec.
Zoom Ratio :	10X	Operation Temperature :	-10~+50°C	
Angle of View :	43.6×33.4 deg. at 8mm 4.6× 3.4 deg. at 80mm	Mount :	C-Mount(Adjustable Lens Position)	
Image Size :	6.4×4.8mm (φ8mm)	Filter Size :	62mm P0.75	
Minimum Object Distance :	1.2m (From Front Vertex)	Size :	80×70×126.6mm	
Optical Back Focal Distance :	15.76mm (In Air)	Weight :	Approx.700 g	
Flange Back :	17.526mm			

【COMPOSITION】

- Lens 1
- Lens Cap 1
- Dust Cap 1

【DIMENSIONS】



【CIRCUIT DIAGRAM】

