

# JHF35M-8MP-RG

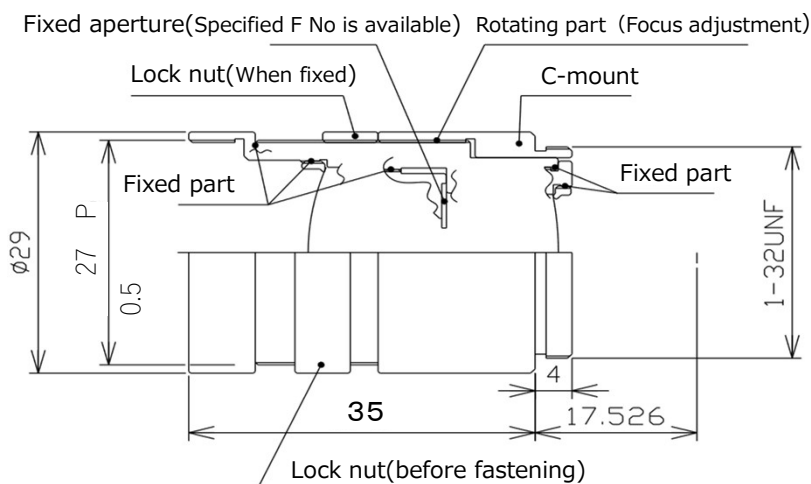


The SPACECOM RG series have a fixed aperture and double nut structure. This makes more excellent vibration and impact resistance than the conventional lock screw method. The mechanical design of JHF35M-8MP-RG adopted the intrusion of dust and liquid droplets, so JHF35M-8MP-RG is versatile lens can be used under a wide range of environments.

## 2/3" 8MP Ruggedized vibration, impact and dust resistance lens



- 2/3" f=35mm F2.4  
Specified F No is available
- Compact  $\phi$ 29mm design
- TV Distortionless design  
-0.0004%
- Resolution power : 2.7 $\mu$ m
- M.O.D : 0.2m
- SWIR coating available



### ●Robotics



### ●Logistics System



### ●FA application such as machine tools

