

JZ10100R-MP PZFI

【SPECIFICATIONS】 2/3" Megapixel Motorized Zoom Lenses

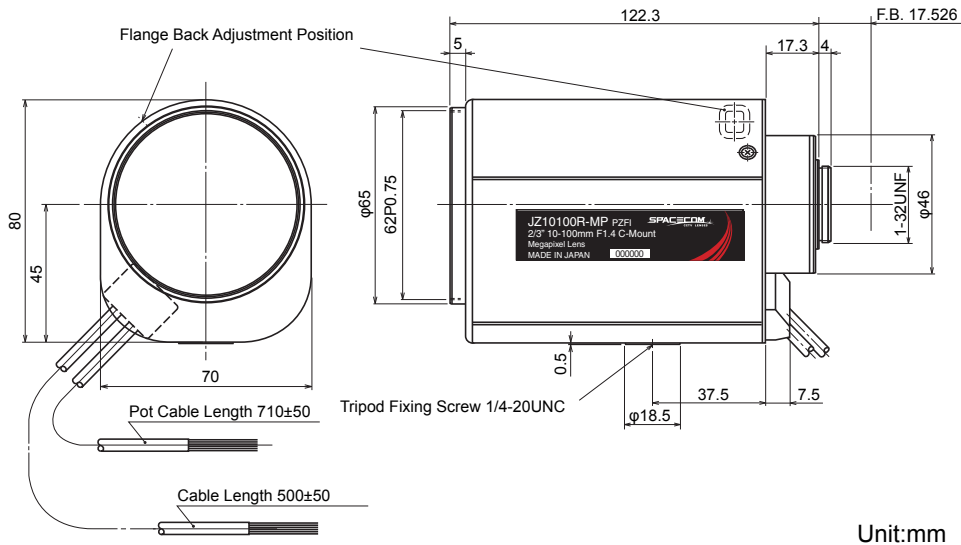
Image Size: $\frac{2}{3}$ $\frac{1}{2}$ $\frac{1}{3}$

Focal Length :	10~100mm	Operation :	Zoom :	Motorized(DC±6.4V, Max40mA) Speed Approx.6sec.
Maximum Relative Aperture :	1:1.4		Focus :	Motorized(DC±6.4V, Max40mA) Speed Approx.7sec.
Iris :	F1.4~Close		Iris :	Motorized(DC±6.4V, Max40mA) Speed Approx.3.5sec.
Zoom Ratio :	10X	Operation Temperature :	-10~+50°C	
Angle of View :	47.5×36.5 deg. at 10mm 5.0× 3.8 deg. at 100mm	Mount :	C-Mount(Adjustable Lens Position)	
Image Size :	8.8×6.6mm (φ11mm)	Filter Size :	62mm P0.75	
Minimum Object Distance :	1.2m (From Front Vertex)	Size :	80×70×122.3mm	
Optical Back Focal Distance :	14.69mm (In Air)	Weight :	Approx.700 g	
Flange Back :	17.526mm			

【COMPOSITION】

- Lens 1
- Lens Cap 1
- Dust Cap 1

【DIMENSIONS】



【CIRCUIT DIAGRAM】

