

# JZ10100RAI-MP

Image Size:  $\frac{2}{3}$   $\frac{1}{2}$   $\frac{1}{3}$

## 【SPECIFICATIONS】 2/3" Megapixel Motorized Zoom Lenses

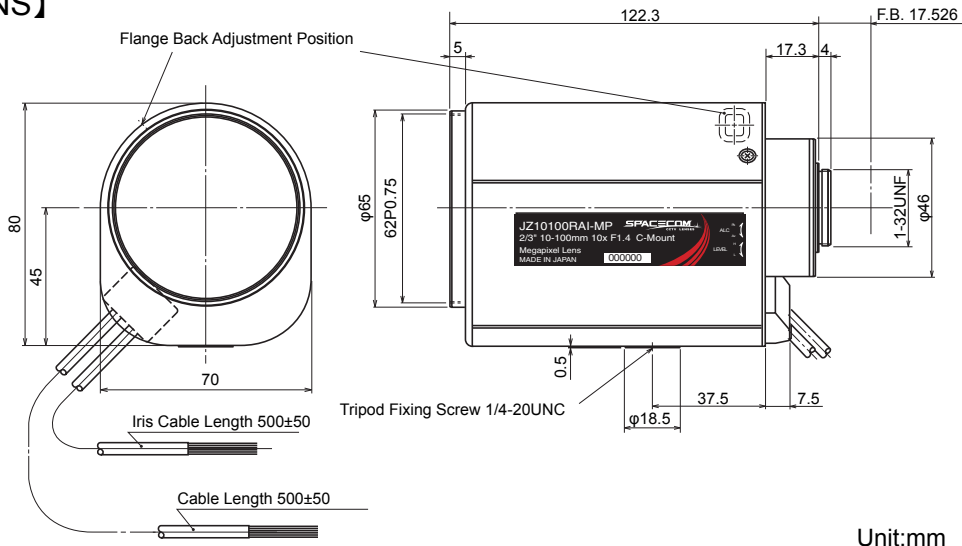
Focal Length : 10~100mm  
 Maximum Relative Aperture : 1:1.4  
 Iris : F1.4~Approx.1200  
 (With ND Spot Filter)  
 Zoom Ratio : 10X  
 Angle of View : 47.5×36.5 deg. at 10mm  
 5.0× 3.8 deg. at 100mm  
 Image Size : 8.8×6.6mm (φ11mm)  
 Minimum Object Distance : 1.2m (From Front Vertex)  
 Optical Back Focal Distance : 14.69mm (In Air)  
 Flange Back : 17.526mm  
 Input Signal : Composite Video Signal,  
 Video Signal  
 Sensitivity Adjustment : 0.5~1.0Vp-p(Image Signal)  
 Photometry Range : Approx.40~70% Variable to Vp-p

Input Impedance : High Impedance  
 Operation : Zoom : Motorized(DC±6.4V, Max40mA)  
 Speed Approx.6sec.  
 Focus : Motorized(DC±6.4V, Max40mA)  
 Speed Approx.7sec.  
 Iris : EE(DC+8.5 to 16V : Fixed Voltage, Max60mA)  
 EE Mechanism : The built-in EE Amp amplifies the difference between the video signal from the camera and the preset Iris signal level. It causes the Iris to change size.  
 Operation Temperature : -10~+50°C  
 Mount : C-Mount(Adjustable Lens Position)  
 Filter Size : 62mm P0.75  
 Size : 80×70×122.3mm  
 Weight : Approx.700 g

## 【COMPOSITION】

- Lens . . . . . 1
- Lens Cap . . . . . 1
- Dust Cap . . . . . 1

## 【DIMENSIONS】



## 【CIRCUIT DIAGRAM】

