

JZ1169DC

[SPECIFICATIONS] F1.4 Manual Zoom Lens

Image Size: $\frac{2}{3}$ $\frac{1}{2}$ $\frac{1}{3}$

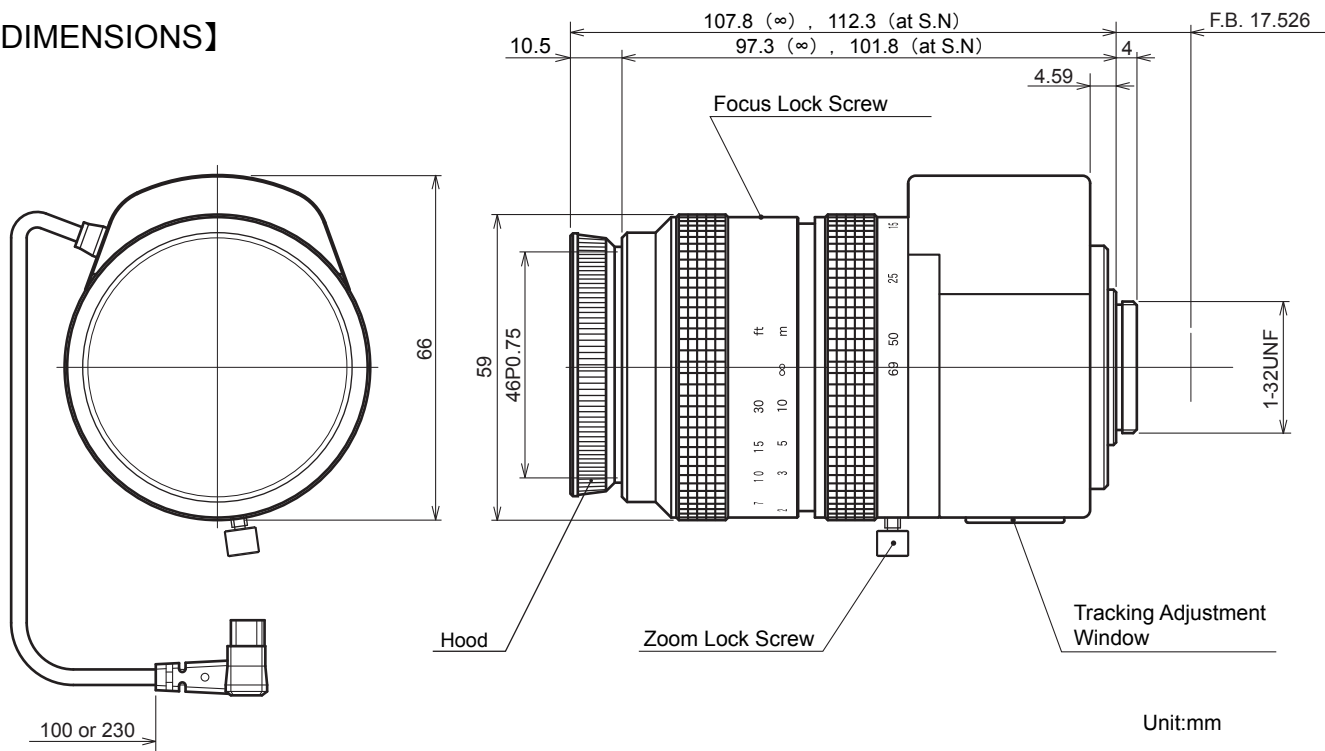
Focal Length : 11.5~69mm
 Maximum Relative Aperture : 1:1.4
 Iris : F1.4~Approx.360
 (With ND Spot Filter)
 Zoom Ratio : 6X
 Angle of View : 41.9×32.0 deg. at 11.5mm
 7.3×5.5 deg. at 69mm
 Image Size : 8.8×6.6mm (φ11mm)
 Minimum Object Distance : 1.0m (From Front Vertex)
 Close-up photography as far as
 Object Distance 0.5m is possible by
 S.N.(Service Near)function of Focus.
 (Partial eclipse may occur during
 zooming in the S.N. range with using
 2/3" camera.)

Optical Back Focal Distance : 17.93mm(In Air)
 Flange Back : 17.526mm
 Operation : Focus : Manual
 Zoom : Manual
 Iris : IG(Auto Close System)
 Close to Open : Less than 4.0V
 Open to Close : More than 0.1V
 Speed Within 4sec.
 Operating Temperature : -10~+50°C
 Mount : C-Mount
 Filter Size : 46mm P0.75
 Size : 66×59×107.8mm
 Weight : Approx.400 g

[COMPOSITION]

- Lens 1
- Lens Cap 1
- Dust Cap 1

[DIMENSIONS]



[CIRCUIT DIAGRAM]

