

JZ95152R PZFI

【SPECIFICATIONS】

Image Size: $\frac{2}{3}$ $\frac{1}{2}$ $\frac{1}{3}$

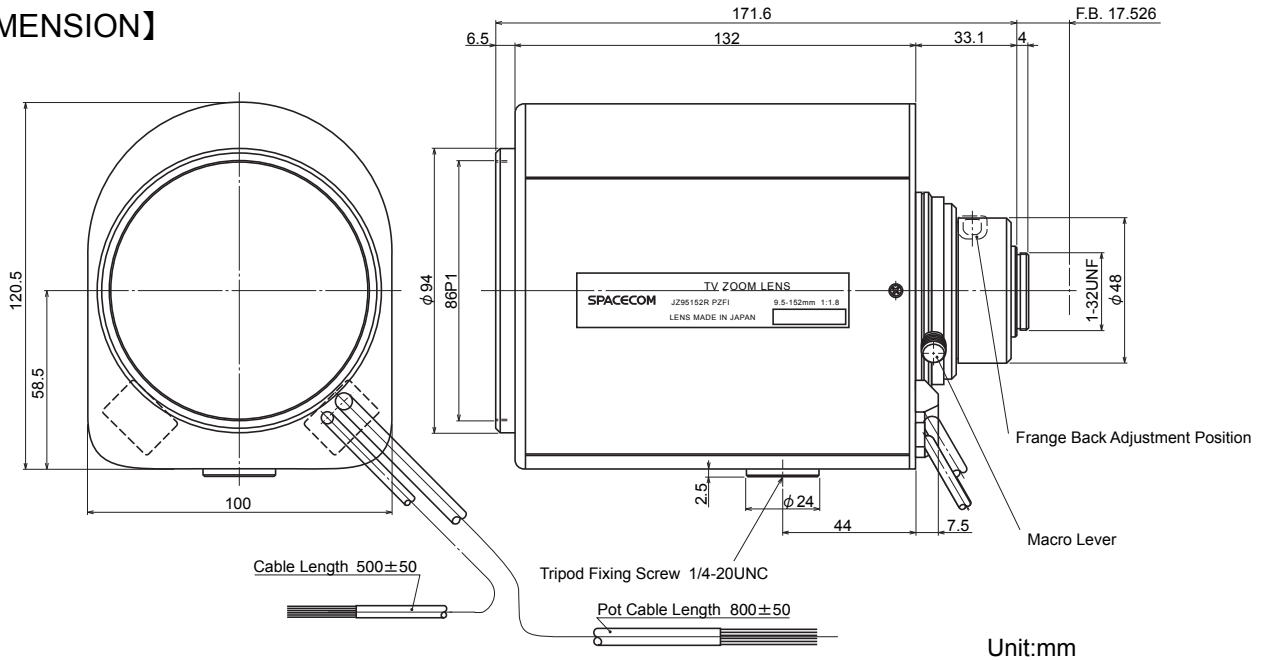
Focal Length : 9.5~152mm
 Maximum Relative Aperture : 1:1.8 at 9.5~110mm
 1:2.3 at 152mm
 Iris : F1.8~Close
 Zoom Ratio : 16X
 Angle of view : 49.7°×38.3° at 9.5mm
 3.3°× 2.5° at 152mm
 Image Size : 8.8×6.6mm (φ11mm)
 Minimum Object Distance : 1.0m (From Front Vertex)
 Optical Back Focal Distance : 20.15mm (In Air)
 Flange Back : 17.526mm

Operation : Zoom : Motorized (DC±6.4V, Max80mA)
 Speed Approx.9sec.
 Focus : Motorized (DC±6.4V, Max80mA)
 Speed Approx.17sec.
 Iris : Motorized (DC±6.4V, Max50mA)
 Speed Approx.2.5sec.
 Operation Temperature : -10~+50°C
 Mount : C-Mount(Adjustable Lens Position)
 Filter Size : 86mm P1
 Size : 120.5×100×171.6mm
 Weight : Approx. 1.5 Kg

【COMPOSITION】

- Lens 1
- Lens Cap 1
- Dust Cap 1

【DIMENSION】



Unit:mm

【CIRCUIT DIAGRAM】

