

# JZ95152R

## 【SPECIFICATIONS】

Image Size:  $\frac{2}{3}$   $\frac{1}{2}$   $\frac{1}{3}$

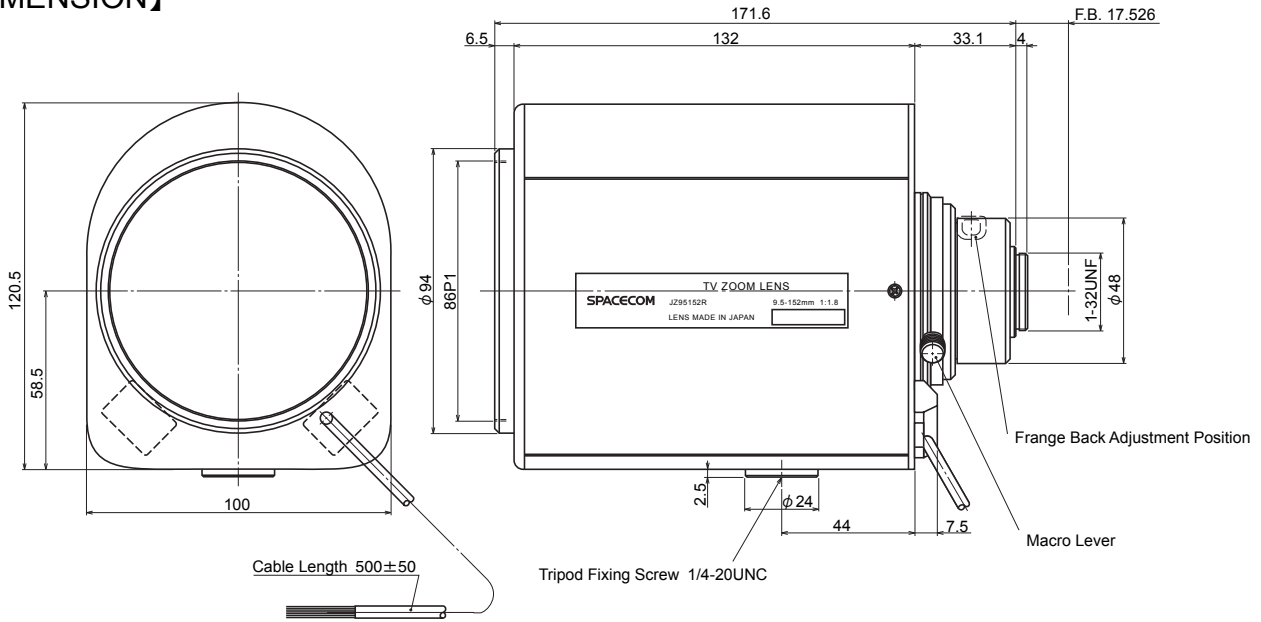
Focal Length : 9.5~152mm  
 Maximum Relative Aperture : 1:1.8 at 9.5~110mm  
 1:2.3 at 152mm  
 Iris : F1.8~Close  
 Zoom Ratio : 16X  
 Angle of view : 49.7°×38.3° at 9.5mm  
 3.3°× 2.5° at 152mm  
 Image Size : 8.8×6.6mm (φ11mm)  
 Minimum Object Distance : 1.0m (From Front Vertex)  
 Optical Back Focal Distance : 20.15mm (In Air)  
 Flange Back : 17.526mm

Operation : Zoom : Motorized (DC±6.4V, Max80mA)  
 Speed Approx.9sec.  
 Focus : Motorized (DC±6.4V, Max80mA)  
 Speed Approx.17sec.  
 Iris : Motorized (DC±6.4V, Max50mA)  
 Speed Approx.2.5sec.  
 Operation Temperature : -10~+50°C  
 Mount : C-Mount(Adjustable Lens Position)  
 Filter Size : 86mm P1  
 Size : 120.5×100×171.6mm  
 Weight : Approx. 1.5 Kg

## 【COMPOSITION】

- Lens . . . . . 1
- Lens Cap . . . . . 1
- Dust Cap . . . . . 1

## 【DIMENSION】



Unit:mm

## 【CIRCUIT DIAGRAM】

