

TZ6539R PZFI

【SPECIFICATION】

Image Size : $\frac{1}{3}$ "

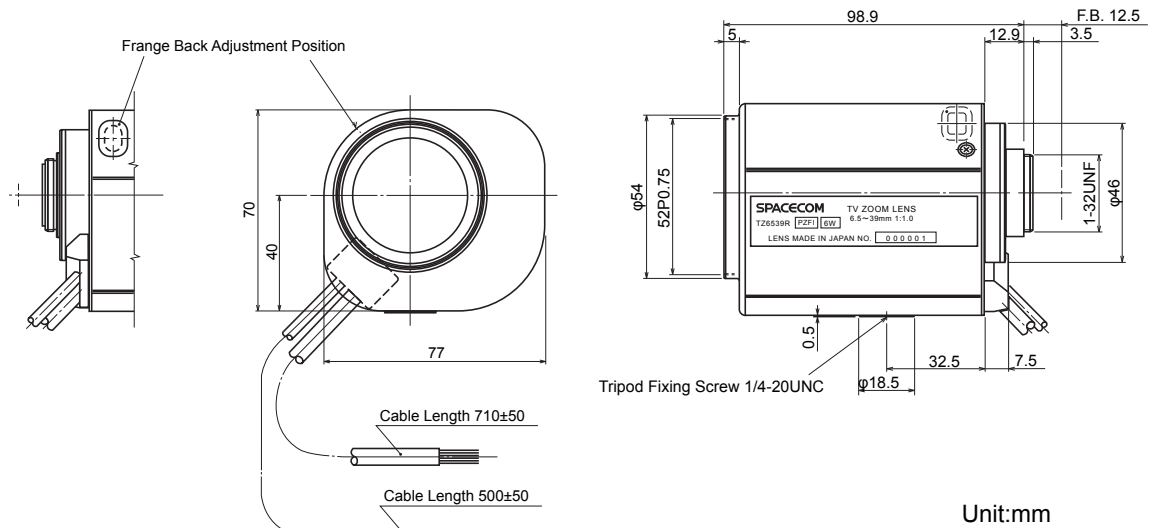
Focal Length : 6.5~39mm
 Maximum Relative Aperture : 1:1.0
 Iris : F1.0~Close
 Zoom Ratio : 6X
 Angle of View : 40.5×30.9 deg. at 6.5mm
 7.0× 5.3 deg. at 39mm
 Image Size : 4.8×3.6mm (φ6mm)
 Minimum Object Distance : 1.0m (From Front Vertex)
 Optical Back Focal Distance : 11.76mm (In Air)
 Flange Back : 12.5mm

Operation : Zoom : Motorized(DC±6.4V, Max40mA)
 Speed Approx.6sec.
 Focus : Motorized(DC±6.4V, Max40mA)
 Speed Approx.7sec.
 Iris : Motorized(DC±6.4V, Max40mA)
 Speed Approx.3.5sec.
 Operation Temperature : -10~+50°C
 Mount : CS-Mount(Adjustable Lens Position)
 Filter Size : 52mm P0.75
 Size : 70×77×98.9mm
 Weight : Approx.500 g

【COMPOSITION】

- Lens 1
- Lens Cap 1
- Dust Cap 1

【DIMENSIONS】



【CIRCUIT DIAGRAM】

