

TZ6539RAI

【SPECIFICATIONS】

Image Size: $\frac{1}{3}$ "

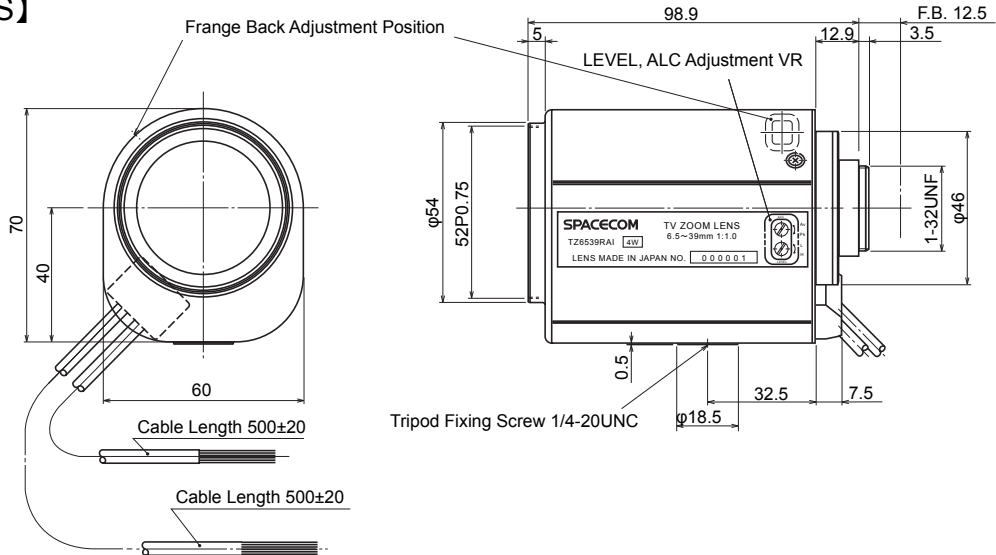
Focal Length : 6.5~39mm
 Maximum Relative Aperture : 1:1.0
 Iris : F1.0~Approx.1200
(With ND Spot Filter)
 Zoom Ratio : 6X
 Angle of View : 40.5×30.9 deg. at 6.5mm
 7.0× 5.3 deg. at 39mm
 Image Size : 4.8×3.6mm (φ6mm)
 Minimum Object Distance : 1.0m (From Front Vertex)
 Optical Back Focal Distance : 11.76mm (In Air)
 Flange Back : 12.5mm
 Input Signal : Composite Video Signal, Video Signal
 Sensitivity Adjustment : 0.5~1.0Vp-p(Image Signal)
 Photometry Range : Approx.40~70% Variable to Vp-p

Input Impedance : High Impedance
 Operation : Zoom : Motorized(DC±6.4V, Max40mA)
 Speed Approx.6sec.
 Focus : Motorized(DC±6.4V, Max40mA)
 Speed Approx.7sec.
 Iris : EE(DC+8.5 to 16V : Fixed Voltage, Max60mA)
 EE Mechanism : The built-in EE Amp amplifies the difference between the video signal from the camera and the preset Iris signal level. It causes the Iris to change size.
 Operating Temperature : -10~+50°C
 Mount : CS-Mount(Adjustable Lens Position)
 Filter Size : 52mm P0.75
 Size : 70×60×98.9mm
 Weight : Approx.500 g

【COMPOSITION】

- Lens 1
- Lens Cap 1
- Dust Cap 1

【DIMENSIONS】



【CIRCUIT DIAGRAM】

