

VHF16M-MP

【SPECIFICATIONS】 Megapixel-Lens

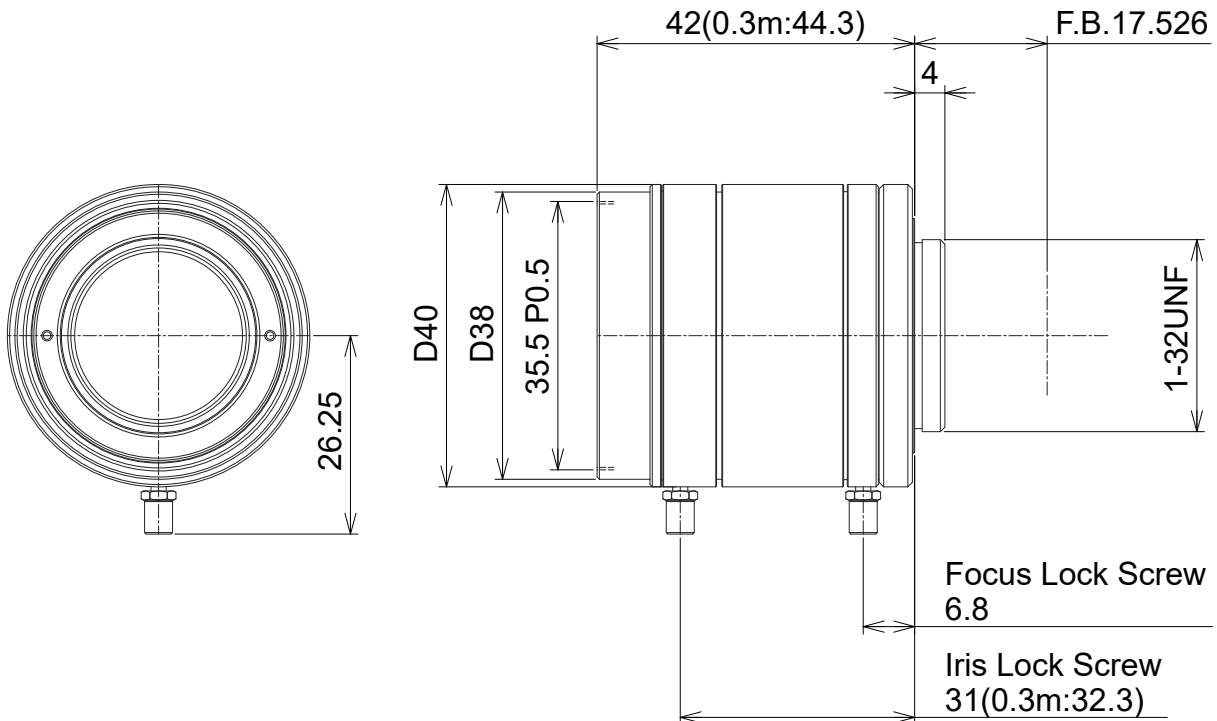
Image Size: 1.1inch, 1inch

Focal Length:	16mm	Optical Back Focal Distance:	16.4mm(In Air)
Maximum Relative Aperture:	1:1.4	Frang Back:	17.526mm
Iris:	F1.4~22	Operation:	Focus: Manual
Angle of View:	H44.5° × V33.8° (D54.6°) [H48.6° × V37.1° (D59.4°)		Iris: Manual
image Size:	12.8 × 9.6mm (φ 16mm) [14.1 × 10.6mm (φ 17.6mm)	Operating Temperature:	-10 ~ +50 °C
minimum Object Distance:	0.3m(From Front Vertex)	Mount:	C-Mount
Resolution:	5.0 μ m	Filter Size:	35.5mm P0.5
Optical Distortion:	-3.3% [-3.8%] (at near) -3.1% [-3.4%] (at far)	Size:	φ 40 × 42 mm
TV Distortion:	-0.9% [-1.0%] (at near) -0.8% [-0.9%] (at far) [Value at 1.1"]	Weight:	120g

【COMPOSITION】

- Lens.....1
- Spanner.....1
- Lens Cap.....1
- Dust Cap.....1

【DIMENSIONS】



Unit:mm