

# VHF25M-MP

**【SPECIFICATIONS】** Megapixel-Lens

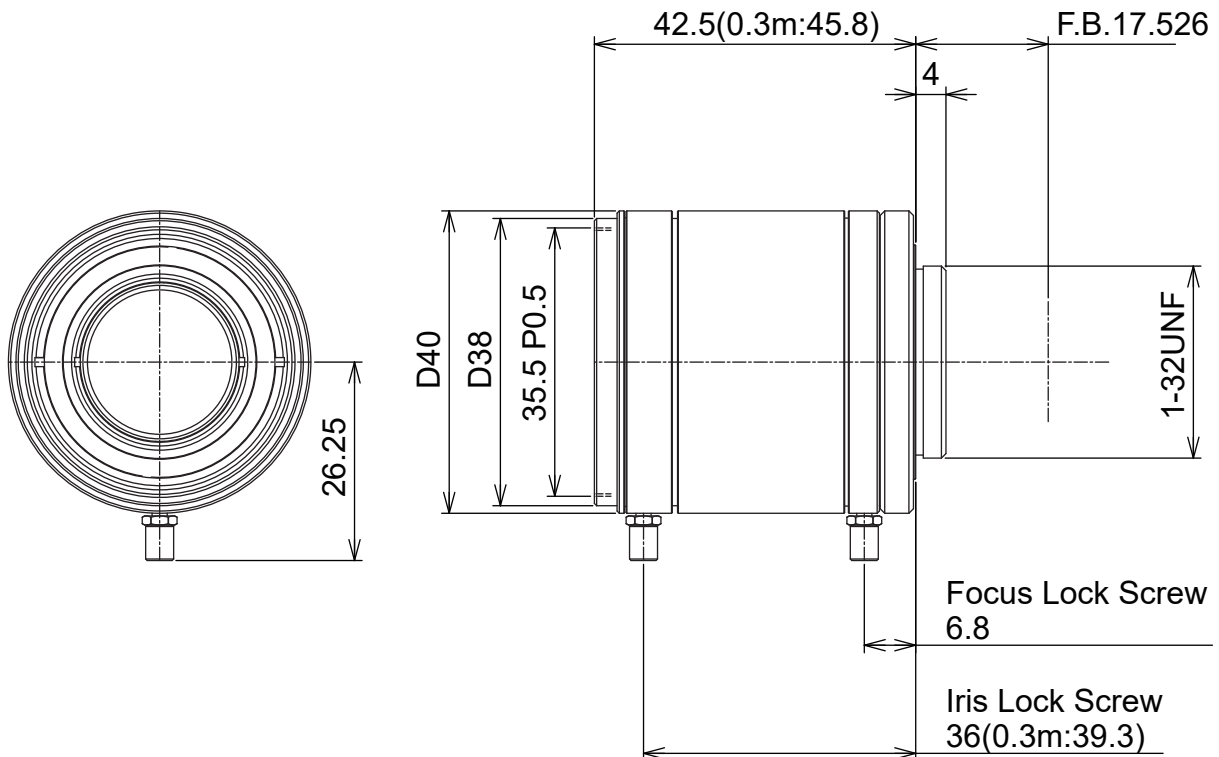
Image Size: 1.1inch, 1inch

Focal Length:	25mm	Optical Back Focal Distance:	16.6mm (In Air)
Maximum Relative Aperture:	1:1.4	Frang Back:	17.526mm
Iris:	F1.4~22	Operation:	Focus: Manual
Angle of View:	H29.0°×V21.9°(D36.1°) [H31.9°×V24.1°(D39.6°)]		Iris: Manual
image Size:	12.8×9.6mm(φ16mm) [14.1×10.6mm(φ17.6mm)]	Operating Temperature:	-10 ~ +50 ?
minimum Object Distance:	0.3m (From Front Vertex)	Mount:	C-Mount
Resolution:	3.5μm	Filter Size:	35.5mm P0.5
Optical Distortion:	-2.2% [-2.7%] (at near) -1.8% [-2.1%] (at far)	Size:	φ40×42.5 mm
TV Distortion:	-0.7% [-0.8%] (at near) -0.5% [-0.6%] (at far) [Value at 1.1"]	Weight:	119g

**【COMPOSITION】**

- Lens.....1
- Spanner.....1
- Lens Cap.....1
- Dust Cap.....1

**【DIMENSIONS】**



Unit:mm