

# VHF6M-MP

**【SPECIFICATIONS】** Megapixel-Lens

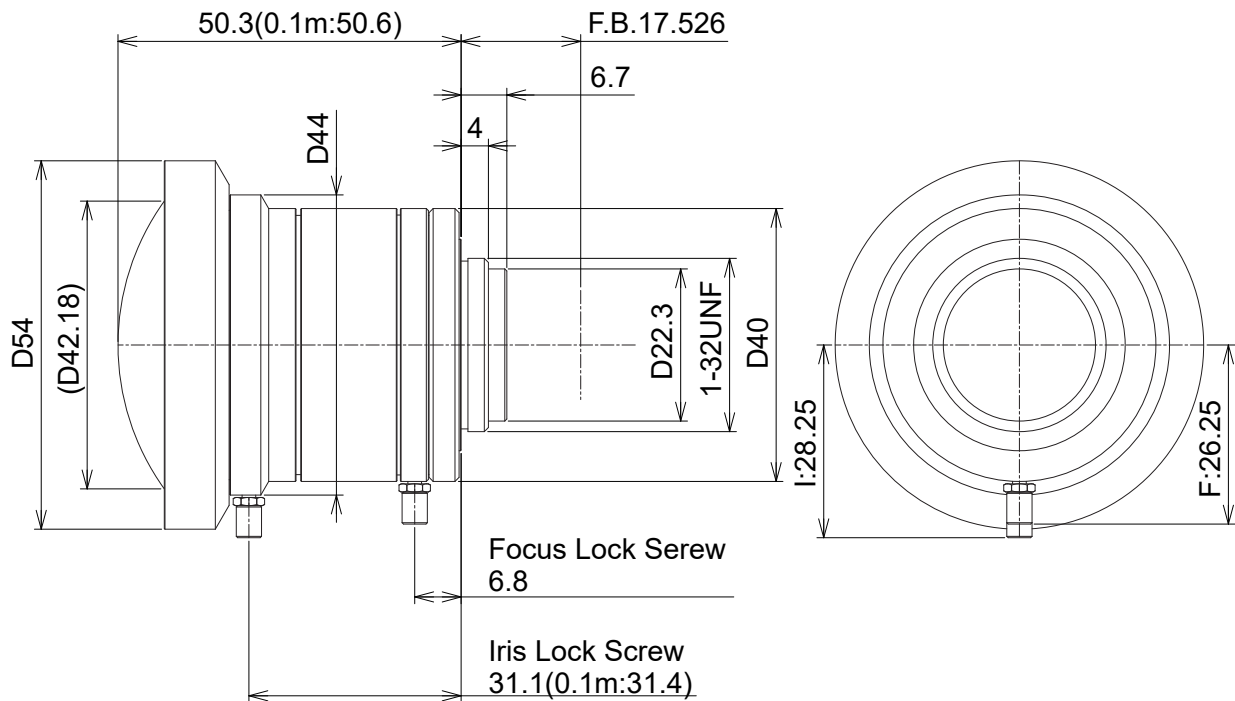
Image Size: 1inch

Focal Length:	6mm	Optical Back Focal Distance:	11.5mm (In Air)
Maximum Relative Aperture:	1:1.8	Fringe Back:	17.526mm
Iris:	F1.8~22	Operation:	Focus: Manual
Angle of View:	H95.1° × V78.7° (D104.6°)		Iris: Manual
Image Size:	12.8 × 9.6mm (φ 16mm)	Operating Temperature:	-10 ~ +50 °C
Minimum Object Distance:	0.1m (From Front Vertex)	Mount:	C-Mount
Resolution:	6.4 μm	Size:	φ 54 × 50.3 mm
Optical Distortion:	-7.5 % (at near)	Weight:	185g
	-7.1 % (at far)		
TV Distortion:	2.4 % (at near)		
	-0.4 % (at far)		

**【COMPOSITION】**

- Lens.....1
- Spanner.....1
- Lens Cap.....1
- Dust Cap.....1

**【DIMENSIONS】**



Unit:mm