

# TAV850P IR-MP

[SPECIFICATIONS]

## F1.6 Aspherical + Day&Night IR Lens

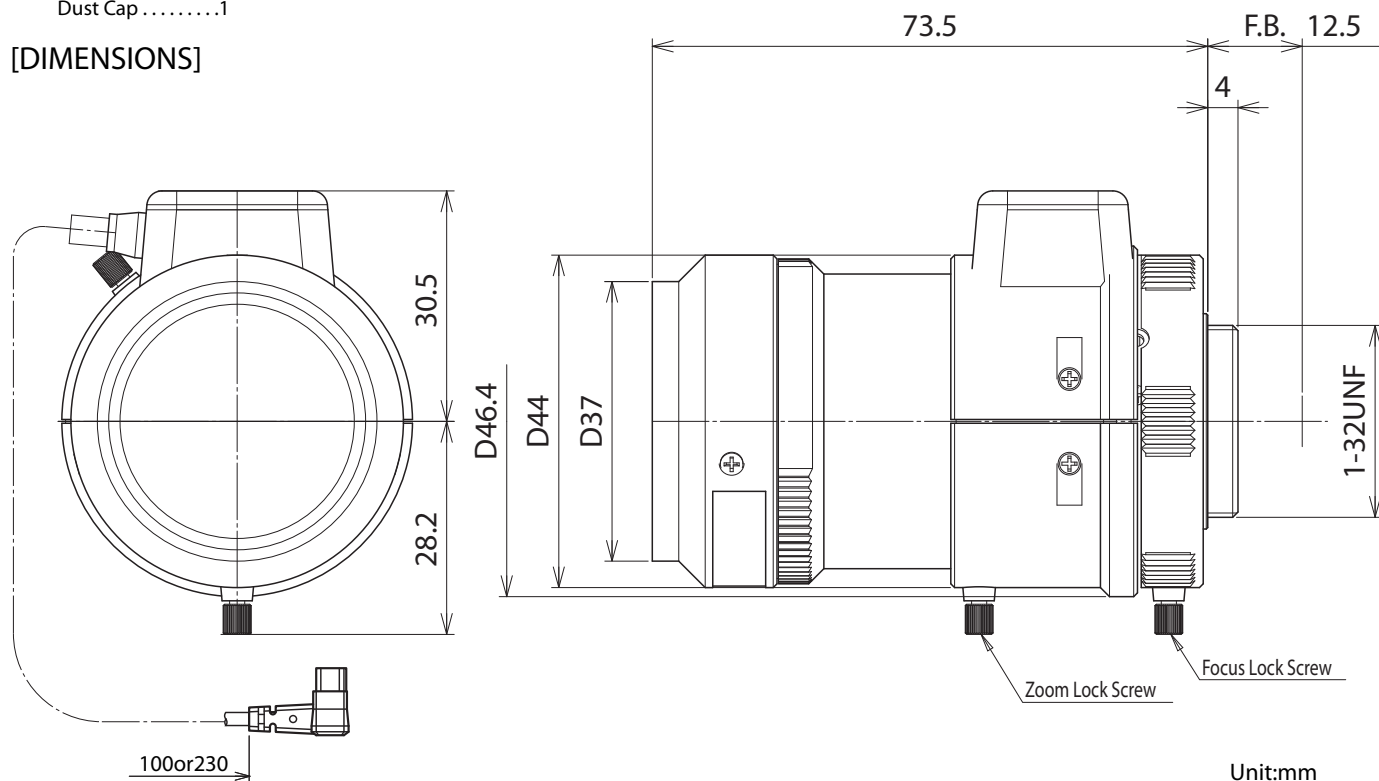
Image Size:  $\text{\textcircled{1/2.7}}$   $\text{\textcircled{1/3}}$   $\text{\textcircled{1/4}}$

Focal Length :	8 - 50mm	Flange Back :	12.5mm
Maximum Relative Aperture :	1:1.6	Operation :	Focus : Manual Zoom : Manual Iris : IG (Auto Close System)
Iris :	F1.6 - 360 (With ND Spot Filter)	Operation Voltage :	Close to Open : Less than 3V Open to Close : More than 0.5V
Zoom Ration :	6.25 x	Operation Temperature :	-10 to +50C
Angular Field of View :	38.7 x 28.6 deg.at 8mm 6.4 x 4.8 deg.at 50mm	Mount :	CS-Mount (Adjustable Lens Position)
Image Format :	5.4 x 4.0mm (D6.7mm)	Size, Weight :	D41.3 x 46.2 x 59.4mm, Approx. 70g
Minimum Object Distance :	0.3m at 8mm 0.9m at 50mm (From Front Vertex)		
Optical Back Focal Distance :	More than 10.3mm (In Air)		

[COMPOSITION]

- Lens .....1
- Lens Cap.....1
- Dust Cap.....1

[DIMENSIONS]



[CIRCUIT DIAGRAM]

PN NO.	lead wres color	STEP PHASE	CLOSE →		← OPEN	
			1	2	3	4
1	BLK	B	H	H	L	L
2	WHT	A	H	L	L	H
3	RED	$\bar{A}$	L	H	H	L
4	GRN	$\bar{B}$	L	L	H	H

Do not connect to camrea which does not have P-Iris support. It will cause failure.  
It is not compatible to connect to DC or Video Iris camera.