

HEZ8585RDC PZF

8.5~85mm 1:1.6

Image Size: $\frac{1}{2}$ $\frac{1}{3}$

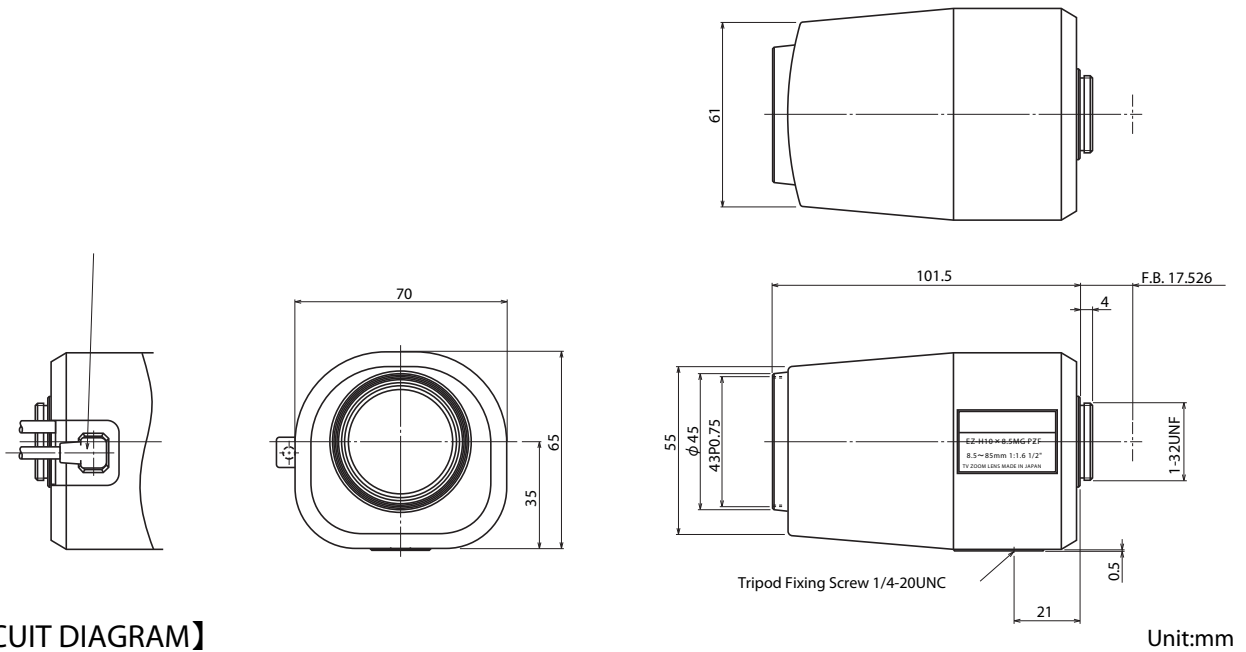
【SPECIFICATIONS】

| | | | |
|-------------------------------|-----------------------------------------------|-------------------------|------------------------------------------------------------------------------------------------------------|
| Focal Length : | 8.5~85mm | Flange Back : | 17.526mm (In Air) |
| Maximum Relative Aperture : | 1:1.6 | Operation : Zoom : | Motorized (DC±6.4V, Max40mA) Speed Approx. 6.5sec. |
| Iris : | F1.6~Approx. 360 (With ND Spot Filter) | Focus : | Motorized (DC±6.4V, Max40mA) Speed Approx. 6.5sec. |
| Zoom Ratio : | 10× | Iris : | IG (Auto Close System) Close→Open : Less than 4.0V Open→Close : More than 0.1V Speed Within 4sec. |
| Angular Field of View : | 41.3° × 31.5° at 8.5mm 4.3° × 3.2° at 85mm | Operation Temperature : | -10~+50°C |
| Image Format : | 6.4 × 4.8mm (φ 8mm) | Mount : | C-Mount (Adjustable Lens Position) |
| Minimum Object Distance : | 1.2m (From Front Vertex) | Front Thread : | 43mm P0.75 |
| Object Dimensions at M.O.D. : | 86.5 × 64.9cm at 8.5mm 8.6 × 6.5cm at 85mm | Size, Weight : | 70 × 65 × 101.5mm, Approx. 275 g |
| Optical Back Focal Distance : | 15.56mm (In Air) | | |

【COMPOSITION】

- Lens 1
- Lens Cap 1
- Dust Cap 1

【DIMENSIONS】



【CIRCUIT DIAGRAM】

